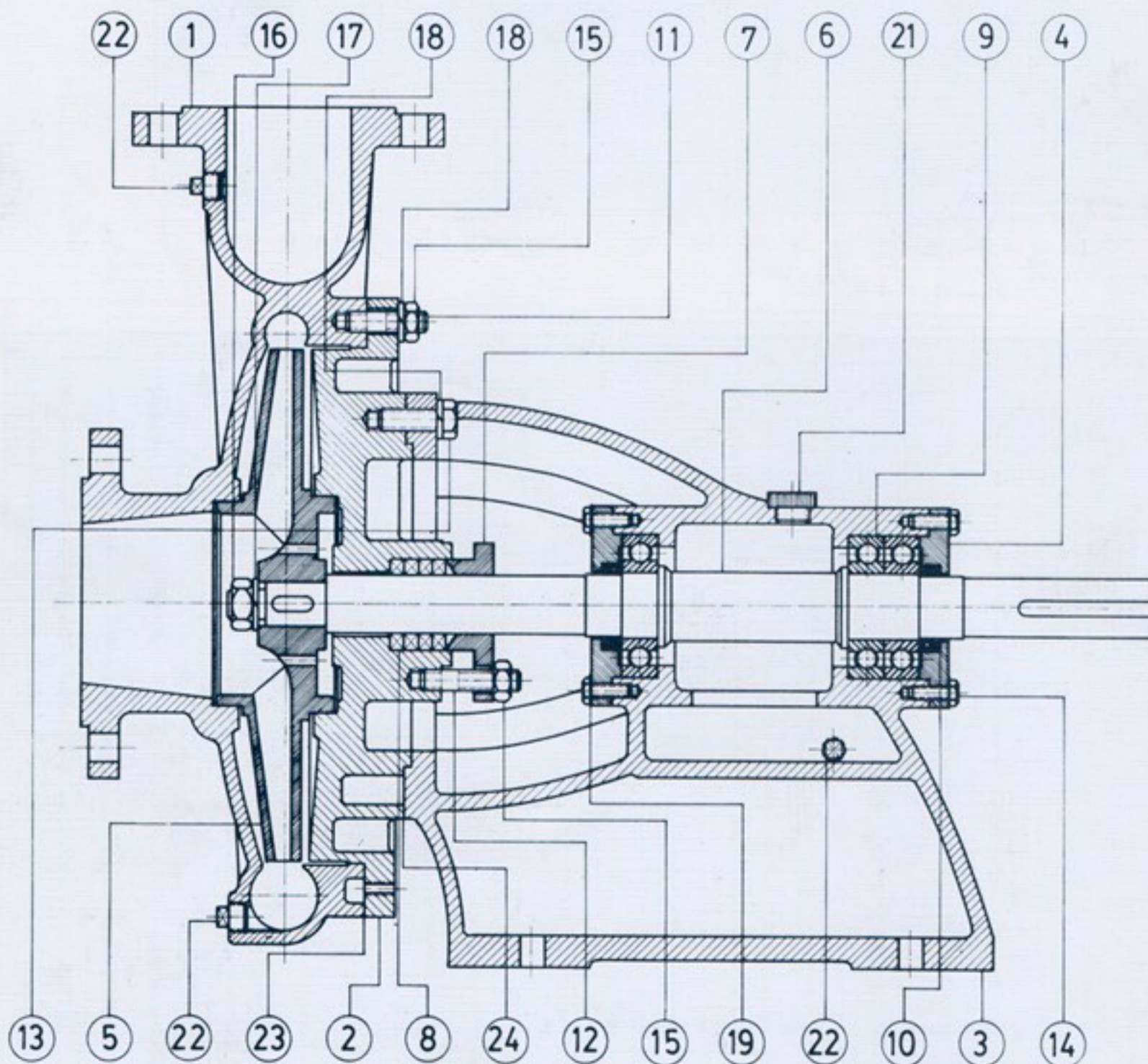


## SPECIAL FEATURES:

1. Specially designed volute type delivery casing produces smooth flow of liquid and covers a wide range of discharge at medium and high heads.
2. Net Power Suction Head requirement is low and hence higher suction lift is possible.
3. Effectively protected shaft from distortion and liquid to be pumped is supported by three ball bearings housed in a sturdy pedestal and casing support/central delivery.
4. Changability of degree can apply 4 directions to cover every working condition and the pumps are suitable for direct coupling or belt driving by any suitable prime mover.
5. The impeller is dynamically balanced and internally hand-finished.
6. Grease/Oil lubricated heavy duty ball bearings provide for long life.



Remark No.20 cannot show in this drawing

24	Packing	Fibre	1
23	Packing	Fibre	1
22	Plug sq	Steel	3
21	Plug r	Bronze	1
20	Plug hex	Bronze	1
19	Spring washer	Steel	6
18	Spring washer	Steel	15
17	Spring washer	Steel	1
16	Nut	Steel	1
15	Nut	Steel	10
14	Bolt	Steel	6
13	Bolt	Steel	8
12	Stud	Steel	2
11	Stud	Steel	8
10	Seal	Rubber	2
9	Ball bearing	Steel	3
8	Gland packing	Asbestos	4
7	Gland cover	Cast iron	1
6	Shaft	StainlessSt	1
5	Impeller	Cast iron	1
4	Bearing cover	Cast iron	2
3	Bearing pedestal	Cast iron	1
2	Pump cover	Cast iron	1
1	Volute casing	Cast iron	1
No.	Nomenclature	Material	Qty

SANGTAWEE ENGINEERING



Distributors: